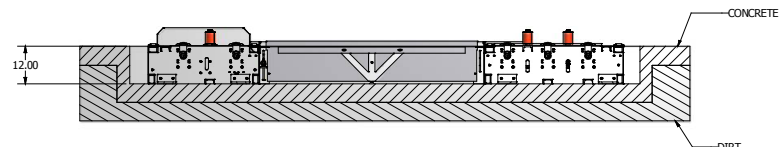
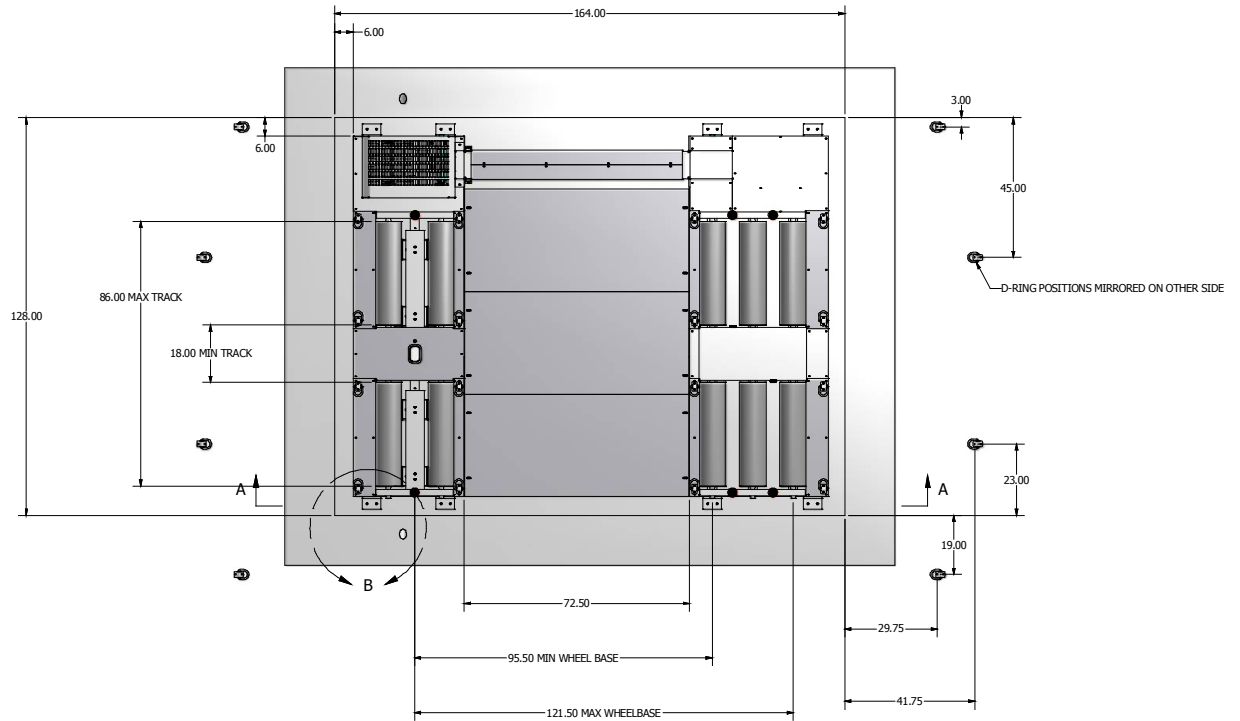


DETAIL B
SCALE 1 / 10



SECTION A-A
SCALE 1 / 20

NOTES:
UNITS ARE IMPERIAL (IN.)

1. CONSTRUCTION TO FOLLOW ALL GOVERNING CODE REQUIREMENTS.
2. CONCRETE TO BE 3000 PSI OR BETTER. CONCRETE THICKNESS AT LEAST 4" THICK WALLS AND 6" THICK ON FLOOR.
3. ALL REINFORCEMENT SHALL BE MADE WITH #4 REBAR.
4. PIT FLOOR REINFORCEMENT SHOULD BE PLACED APPROX. 14" IN BOTH DIRECTIONS AND 4" FROM BOTTOM OF SLAB IN TWO DIRECTIONS.
5. PLACEMENT OF A SMALL PLASTIC BUCKET INTO BOTTOM OF PIT FLOOR DURING CEMENT POURING RECOMMENDED FOR SUMP PUMP PROVISION.
6. RECOMMENDED WALLS AND SLAB TO BE PAINTED WITH CONCRETE SEALER.
7. PLACE POLYETHYLENE VAPOR BARRIER BETWEEN SOIL AND CONCRETE FOR WALLS AND FLOOR ONLY.
8. PIT FLOOR SOIL SHOULD BE COMPACTED AND TERMITE TREATED.
9. WALLS MAY BE CONSTRUCTED OF CONCRETE CINDER BLOCKS WITH VERTICAL STEEL BARS AND/OR REBAR DRIVEN TO FULL DEPTH AND FILLED WITH CONSTRUCTION GRADE CONCRETE.
10. SHOP FLOOR CONCRETE SHOULD BE MINIMUM OF 4" THICK (DYNOCOM RECOMMENDS USING 6" THICK).
11. THESE DRAWINGS ARE INSTALLATION SUGGESTIONS ONLY. ALL LOCAL, STATE, AND FEDERAL REGULATIONS AND CODES SUPERSEDE THIS DOCUMENT. DYNOCOM INDUSTRIES INC. DOES NOT GUARANTEE THE ACCURACY OF THIS DOCUMENT AND SHALL IN NO MANNER BE LIABLE FOR ANY INCIDENTAL OR CONSEQUENTIAL DAMAGES RESULTING FROM THE USE OR MISUSE OF THESE INSTALLATION SUGGESTIONS.
12. COMMON D-HOOK PLACEMENT IN ACCORDANCE TO TYPICAL DYNAMETER PIT LOCATION.

CONFIDENTIAL-PROPRIETARY THIS DRAWING IS THE PROPERTY OF DYNOCOM INDUSTRIES, AND IS SUBJECT TO RETURN UPON REQUEST. THE DRAWING INCLUDES CONFIDENTIAL AND PROPRIETARY INFORMATION OF DYNOCOM INDUSTRIES, AND IS LOANED IN CONFIDENCE WITH THE UNDERSTANDING THAT IT IS NOT TO BE COPIED OR REPRODUCED WITHOUT EXPRESS WRITTEN PERMISSION, AND THAT NEITHER THE DRAWINGS NOR INFORMATION HEREIN BE USED ADVERSELY TO DYNOCOM INDUSTRIES.	TOLERANCES (UNLESS NOTED OTHERWISE) .X ± .040" .XX ± .020" .XXX ± .010" FRACTIONAL & 1/2" ANGULAR & 1/2° BREAK SHARP CORNERS: .01" X 45° SURFACE FINISH: 3.15	THIRD ANGLE PROJECTION 	DYNOCOM INDUSTRIES INC. Automotive Software & Hardware Data Systems
	DATE: 11/9/2015 CHECKED: [Blank] DESIGNER: Brian Overall	MODEL NUMBER: 5000FX SERIES SCALE: [Blank]	DESCRIPTION OF PART: PIT LAYOUT FOR 5000FX NEXT ASSEMBLY: [Blank]