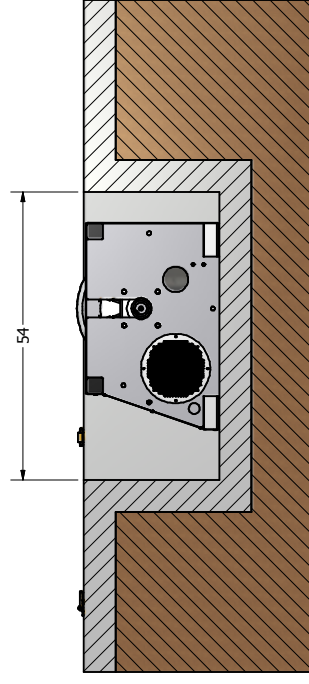


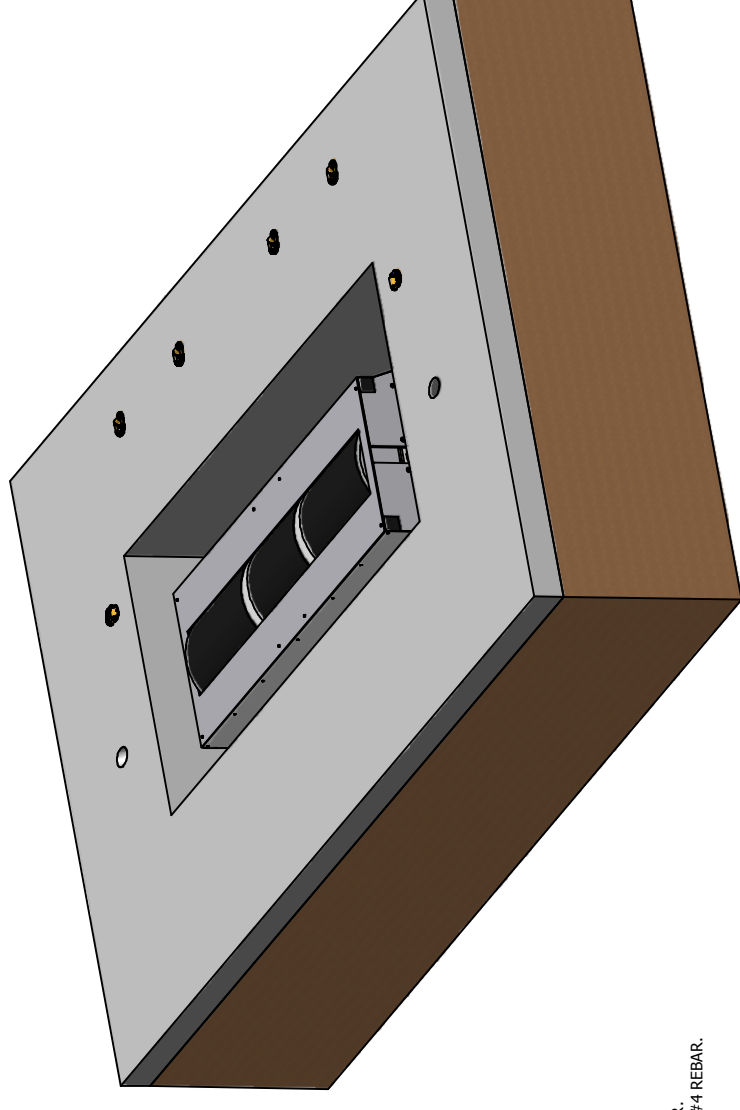
SECTION C-C
SCALE 1/18



SECTION A-A
SCALE 1/18

NOTES:

- 1) CONSTRUCTION TO FOLLOW ALL GOVERNING CODE REQUIREMENTS.
- 2) SOIL TO BE TERMITTE TREATED AND COMPACTED. CONCRETE TO BE 3000 PSI OR BETTER. CONCRETE THICKNESS AT LEAST 6" THICK. ALL REINFORCEMENT SHALL BE MADE WITH #4 REBAR.
- 3) WATERPROOFING BETWEEN CONCRETE WALLS/FLOOR PER POLYETHYLENE VAPOR BARRIER OVERLAPPING FROM WALLS AND FLOORING.
- 4) PIT FLOOR REINFORCEMENT SHOULD BE PLACED 14" PITCH BOTH DIRECTIONS AND 4" FROM BOTTOM OF SLAB.
- 5) PLACEMENT FOR A SMALL PLASTIC BUCKET INTO PIT FLOOR DURING CEMENT POURING RECOMMENDED FOR SLUMP PROVISION.
- 6) RECOMMEND WALLS AND SLAB BE PAINTED WITH CONCRETE SEALER.
- 7) PVC CONDUIT EXITING ON OPERATOR/PC SYSTEM SIDE FOR CONTROL WIRING. IF EQUIPPED WITH 'PAU', 1" PVC CONDUIT TO BE PLACED WITHIN 2" FROM WIRING CONDUIT FOR 230/240 VAC POWER WIRES. ALL CONDUITS WILL ANGLE UP TO EXIT TOP FLOORING APPROX. 36" FROM PIT WALL.
- 8) D-RING LOCATIONS RECOMMENDATIONS. ACTUAL MEASUREMENTS VARY ON SHOP AND FLOOR LAYOUTS.
- 9) DRAWING IS FOR INSTALLATION SUGGESTIONS ONLY. AS STATED (NOTE 1) ALL CITY/STATE/GOV CODES SUPERCEDE THIS DOCUMENT. DYNOCOM INDUSTRIES INC. AND SHALL NOT BE LIABLE FOR ANY INCIDENTAL OR CONSEQUENTIAL DAMAGES RESULTING FROM THE USE OR MISUSE OF THESE INSTALLATION SUGGESTIONS.



CONFIDENTIAL-PROPRIETARY THIS DRAWING IS THE PROPERTY OF DYNOCOM INDUSTRIES INC. IT IS TO BE USED ONLY FOR THE PROJECT AND SHALL NOT BE LOANED, REPRODUCED, COPIED, OR REPRODUCED IN ANY MANNER WITHOUT EXPRESS WRITTEN PERMISSION, AND INFORMATION HEREIN BE USED ADVERSELY TO DYNOCOM INDUSTRIES.	(UNLESS NOTED OTHERWISE) DECIMALS: .XX ± .02" FRACTIONALS: 1/32" ANGULARS: ± 0.2° BREAK SHARP CORNERS: 0.1" X 45° SURFACE FINISH: 125		DYNOCOM INDUSTRIES INC. Automotive Software & Hardware Data Systems
	DATE: 1/5/2011 CHECKED: R. Estrada DESIGNER: R. Estrada	MODEL NUMBER: DC-7500 PIT SCALE: 1/18	DESCRIPTION OF PART: PIT, SINGLE 7500 SERIES